



WECF's contribution to achieving  
MDGs in the EECCA region  
**Introducing and upscaling EcoSan**

**Kiev, 6 November 2007**

**Gero Fedtke**

**WECF**

# Where & since when

- Romania - since 2002
- Ukraine - since 2003
- Bulgaria - since 2005
- Armenia, Uzbekistan- since 2005
- Kyrgyzstan - since 2006
- 2007: Moldova, Belarus, Georgia  
Kazakhstan, Tajikistan

# Who is doing what?

## WECF Network

- Concrete project implementation
- Construction: schools and households
- Joint strategies, positions, projects  
Advocacy national & international

## WECF NGO

- Motivating organizations to do ecosan
- Trainings
- Funding
- Contacts, network
- International Advocacy

# Probability of Dying Before Age 5



Source: WHO Regional Office for Europe

# WECF project goals: Contributing to reaching MDGs

- MDG 7: ensure environmental sustainability
- MDG 1: Eradicate Extreme Poverty and Hunger
- MDG 2: Achieve Universal Primary Education
- MDG 3: Promote Gender Equality and Empower Women
- MDG 4: Reduce Child Mortality
- MDG 5: Improve maternal health



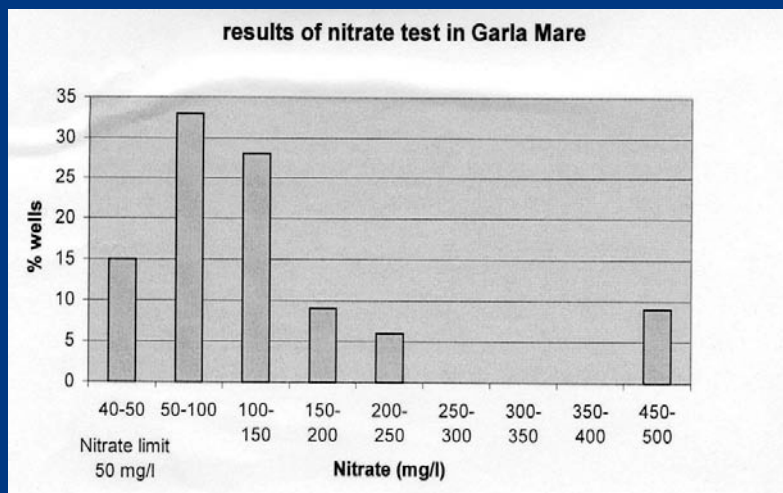
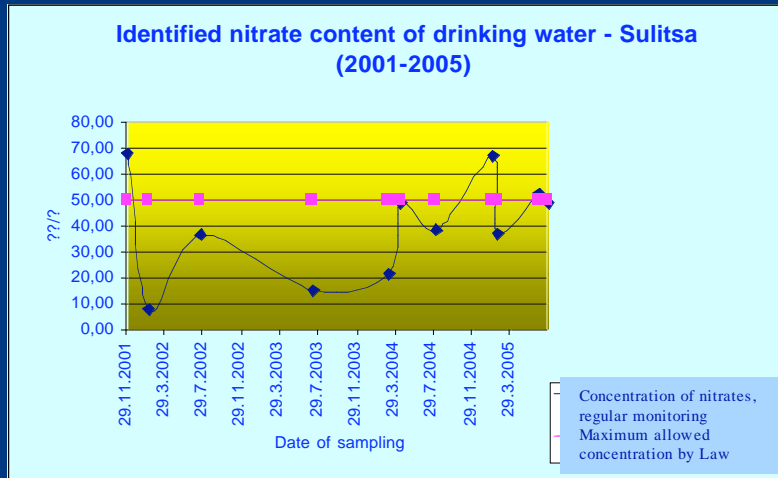
This well contains such high levels of Faecal and coli-bacteria

That acc.to EU guideline water would not even be safe for bathing



This Sipot source, Garla Mare, Romania contains the pesticide 'atrazine' : up to 5x the limit of the EU directive for drinking water

# Nitrate Pollution of Drinking Water



# Dry Urine Diverting Toilets for Households. E.g. Madeniyat, Karakalpakstan





# School toilets: E.g. Ukraine for 350 pupils and teachers in Stepanovka, Oblast' Odesa



# Safe reuse of urine and feces in Agriculture



- Analyses
- Trials
- Implementation

[www.wecf.eu](http://www.wecf.eu)



# International Advocacy World Water Forum Mexico



# Challenges

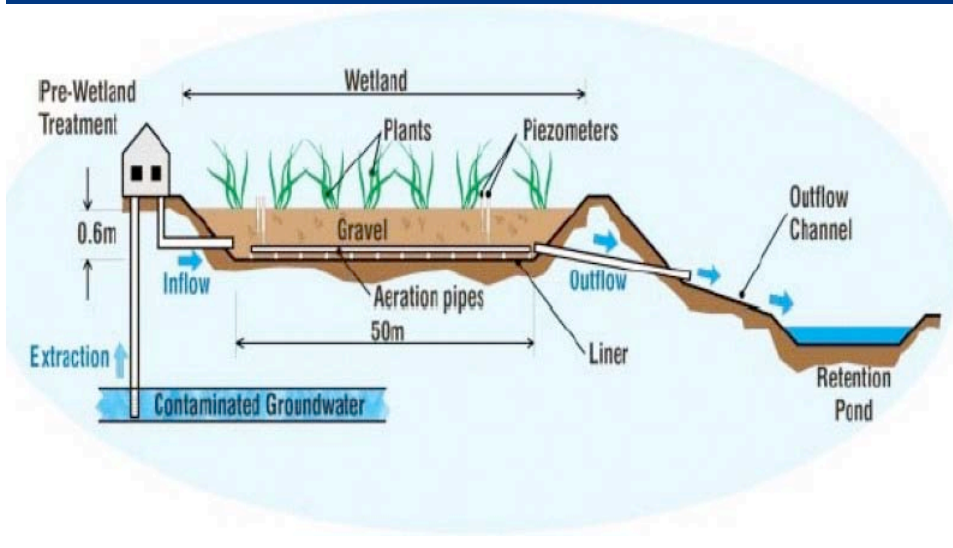
- High prices of construction materials:  
Funding school and household sanitation
- Recognizing decentralized systems as safe
- Local production and maintenance
- Transposing WHO guidelines on safe reuse of ecosan products to the national level

# Next phase: total access for 30.000 poor people in rural areas in 12 countries

	Villages	Access housedhold	Access Public	Water Access
<i>Starting Dec/Jan</i>				
Kyrgyzstan	4	1.500	3.000	50
Belarus	1	500	50	50
<i>Probable start 1.1.07</i>				
Moldova	10	1.000	3.000	50
Georgia	5	1.625	540	50
Kazakhstan	2	180	1.000	50
Tadjikistan	1	50	216	50
<i>Continuation</i>				
Afghanistan	3	1.200	600	1500
Armenia	3	1.000	1.000	2000
Ukraine	7	3.500	250	50
Uzbekistan	2	1.600	250	50
Total	38	12.155	9.906	3.900

New developments next phase

# Treat wastewater in planted soil filters



- treatment of waste waster
- effective system
- Re-use of waste water

source: Comax International Ltd.



New developments next phase

# Produce biomass with waste water

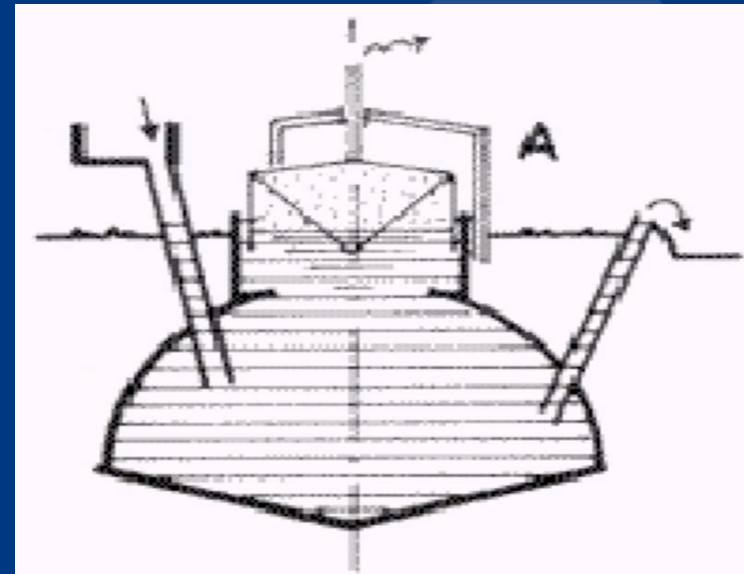


source: EU Fair, 2003

- Combined wastewater treatment and bio-fuel production from willow plantations (example in Sweden)
- Cost and energy effective

New developments next phase

# anaerobic treatment of faeces with biogas production



- recovery of energy content (covering about 20% of cooking energy needs for a typical family in a developing country)
- energy savings in fertilizer production & wastewater treatment



# Towards a vision of sustainable rural development

- Sanitation
- Water
- Agriculture
- Energy
- Urban and rural areas



Thank you!



# Relevant Ecosan Websites

## ✓ EcoSanRes Publications:

[www.ecosanres.org](http://www.ecosanres.org)

2004-1 Guidelines for the Safe Use of Urine and Faeces in Ecological Sanitation Systems

2004-2 Guidelines on the Use of Urine and Faeces in Crop Production

2004-3 Open Planning of Sanitation Systems

2004-4 Introduction to Greywater Management

2004-5 Norms and Attitudes Towards Ecosan and Other Sanitation Systems

2005-1 Review of Sanitation Regulatory Frameworks

## ✓ GTZ ecosan database

<http://www.gtz.de/en/themen/umwelt-infrastruktur/wasser/9835>

## ✓ WHO guidelines for the safe use of wastewater, excreta and greywater in agriculture

[http://www.who.int/water\\_sanitation\\_health/wastewater/gsuweg4/en/index.html](http://www.who.int/water_sanitation_health/wastewater/gsuweg4/en/index.html)

# WECF Ecosan Publications

To download: [www.wecf.eu/publications](http://www.wecf.eu/publications)

- ✓ Ecological Sanitation and Associated Health risks
- ✓ Reducing effects of polluted drinking water and inadequate sanitation on children's health in rural Romania
- ✓ Urine diverting toilets, principles, operation and construction
- ✓ Survey results: From pit latrine to ecological toilet
- Poster: the benefits of ecological sanitation
- Leaflet: Ecosan; a new sanitation approach
- Leaflet: Ecological Sanitation and Hygienic Considerations for Women

[www.wecf.eu](http://www.wecf.eu)

